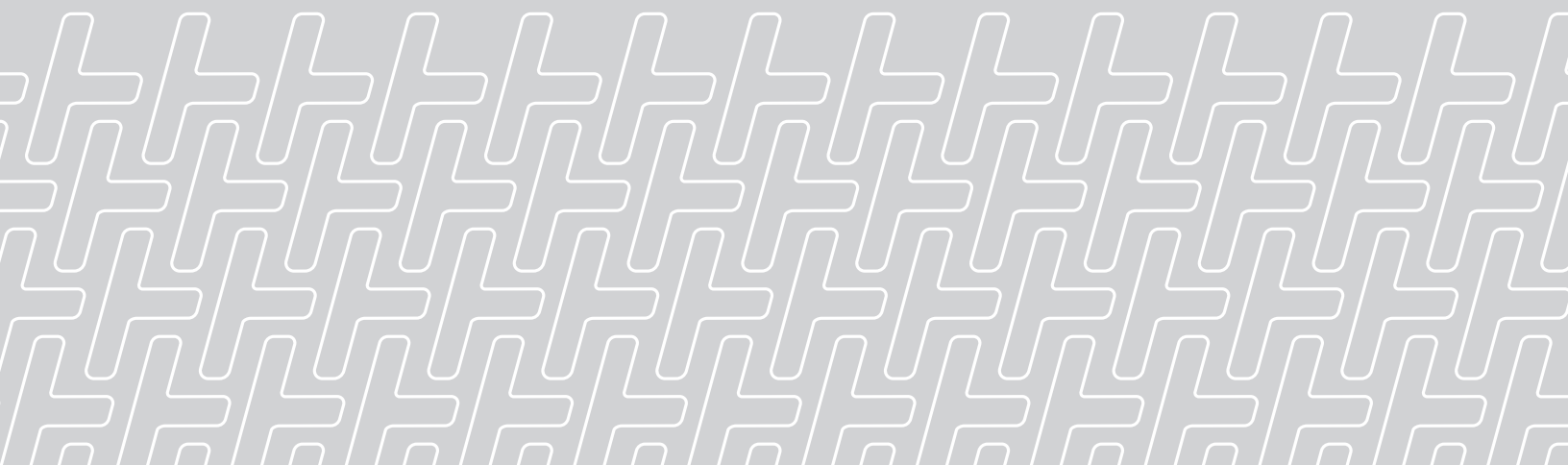


UPTIME KIT

Avatar



INTRODUCTION

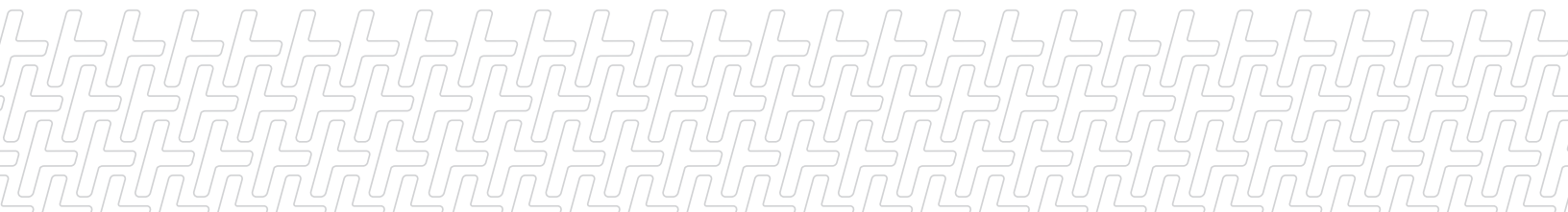
Thank you for your commitment to HORSCH!

Our goal is to help you and your HORSCH machine run as efficiently as possible. Unfortunately in farming, parts wear over time or even break which leads to downtime for hours or days. While we can't predict *everything* that can go wrong on your machine, ground engagement parts have the best chance to slow you down. That's why we have created this **Uptime Kit for HORSCH Avatars**.

This kit includes parts that can help you make quick fixes to get your HORSCH machine up and running again as soon as possible without a call or trip to the dealership.

If you have questions, contact your local dealer!






Your HORSCH Parts Team





AVATAR - UPTIME KIT PARTS

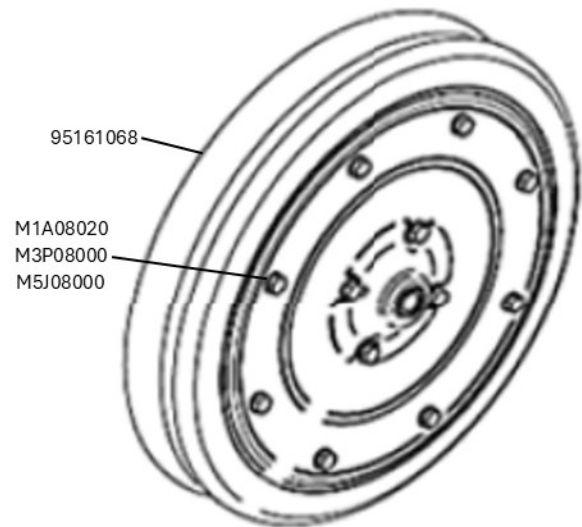
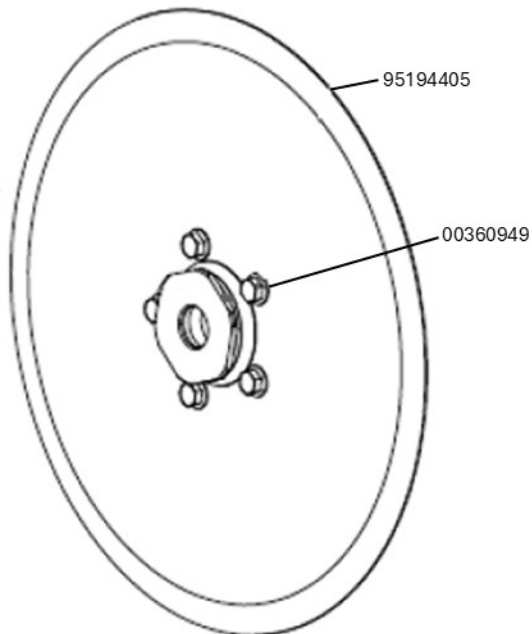
Part No	Part	Description	Qty
00170060		Spring Cotter Pin size 5 double	2
00200228		Foam Seal, 5000mm	1
00230153		Adjusting Washer, 16 x 22 x 1.5 420HV	4
00230314		Adjusting washer 16 x 30 x 1	4
00240002		Sealing ring 40x52x5 Gasket	2
00240222		Bearing SS 62205 2RS	2
00260126		Circlip 25 x 1.2	2
00260190		Circlip 15 x 1.5	4
00260236		Circlip 50 x 2	2
00360464		Hex Bolt M16x1.50x65 Gr8.8	2
00360607		Screw, SKS 6x20, DIN 933	6
00360949		Hex Bolt M12x16 Gr10.9, ZN	10
01501901		Sheet metal 138x15x1.5	2
01501902		Seal 139x 43x 5 Rubber Strip	2

Part No	Part	Description	Qty
01501904		Guide bushing diam. 40- 60	2
01501905		Shaft Metering Unit Elect. size 17	2
01503221		Bearing Flange	2
01503226		Knurled screw M8	26
04258118		Tower Blockage Sensor	2
04791411		Screw 16x1,50x 40 DIN961 10.9 GEOM321A	2
23224088		Toothed Closing Wheel	1
23225100		Right closing wheel assembly	1
23339301		Flange bearing	2
60024427		Skid Avatar cast iron HD "L" w.seed tube	1
60031338		Skid Avatar cast iron HD "R" w.seed tube	1
60038464		Flange bear.press wheel Avatar	2
60051772		Left closing wheel assembly	1
60066088		Avatar seed flap "L"	1

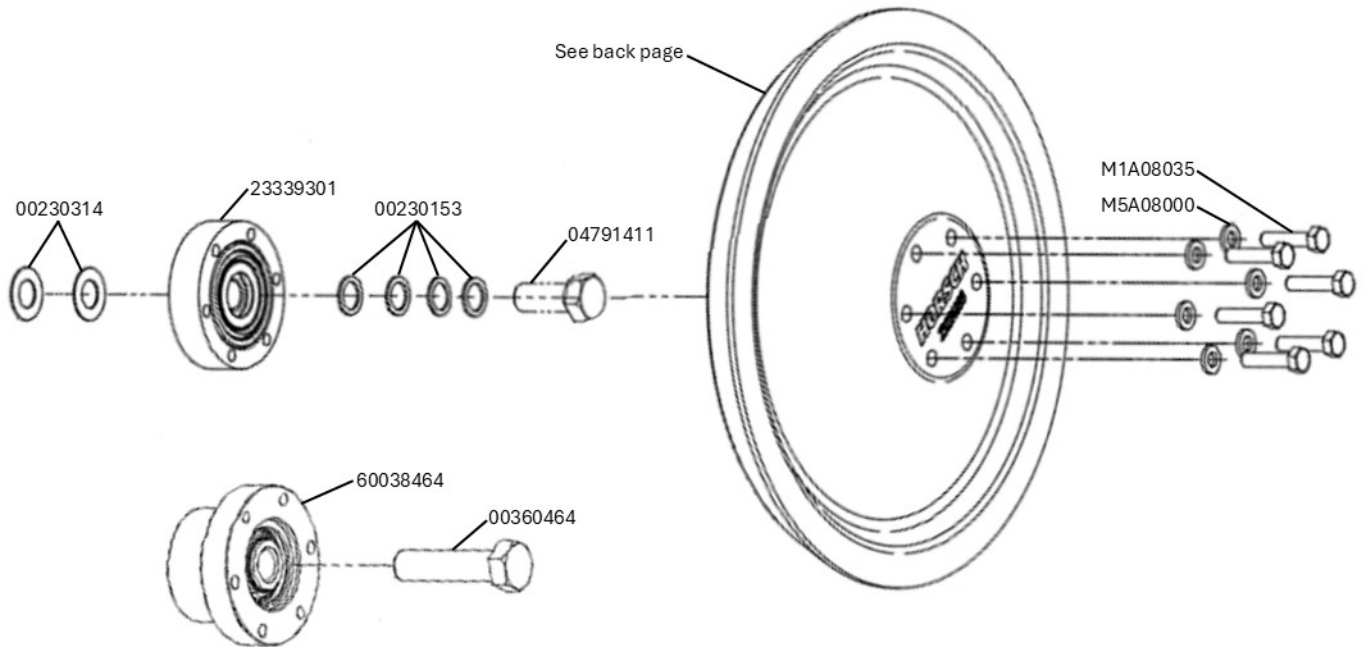
Part No	Part	Description	Qty
60069970		Avatar seed flap "R"	1
60140383		Avatar catch wheel kit	1
95161068		Depth contr.wheel 400x65	2
95194405		Disc blade 480x6 5hole D122gl.52-55HRC	2
M1A08020		Hex Bolt M8-1.25X20. 8.8 ZN	24

Part No	Part	Description	Qty
M1A08035		Hex Bolt M8-1.25X 35 8.8 ZN	12
M3P08000		Nut Nylon,FLNG M8- 1.25	24
M5A08000		Flat Washer, M8 ZN	12
M5J06000		Flat washer, M6, DIN 125	6
M5J08000		Flat Washer, M8, A2 SS	24

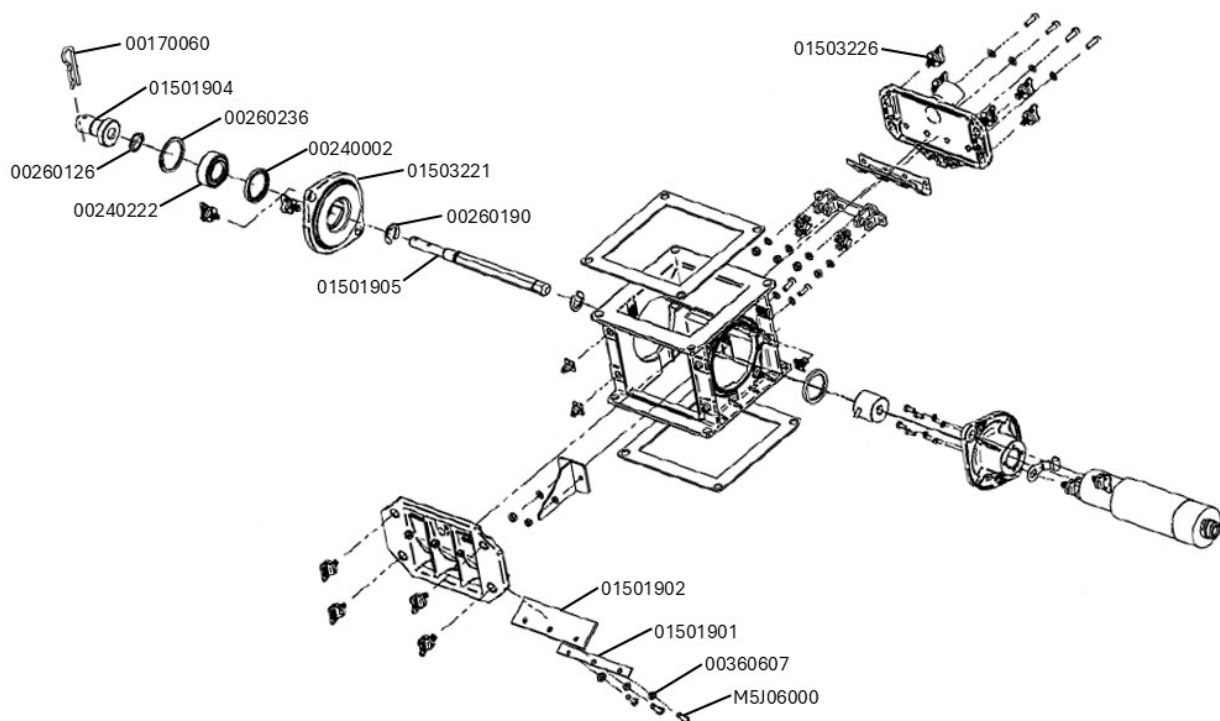
AVATAR - DISC BLADE AND DEPTH CONTROL WHEEL DIAGRAM



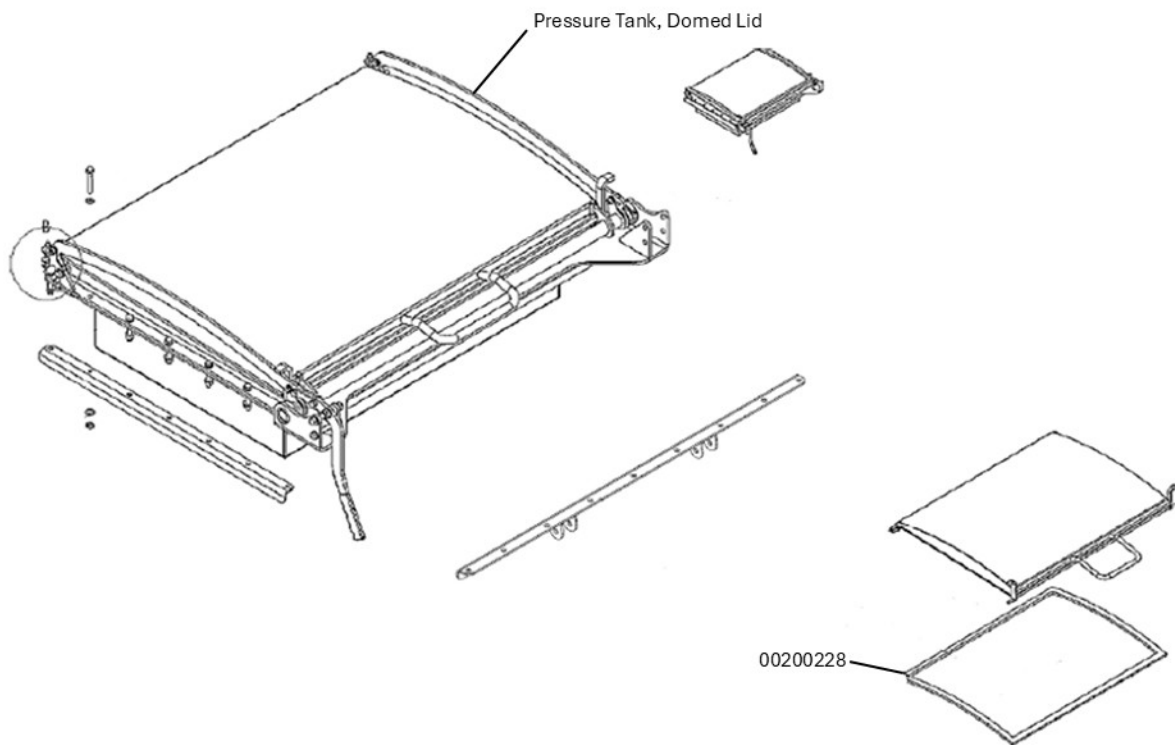
AVATAR - STEEL CLOSING WHEEL ASSEMBLY DIAGRAM



AVATAR - METERING UNIT DIAGRAM



AVATAR - FOAM TANK SEAL DIAGRAM



AVATAR - CLOSING WHEEL ASSEMBLY DIAGRAM

