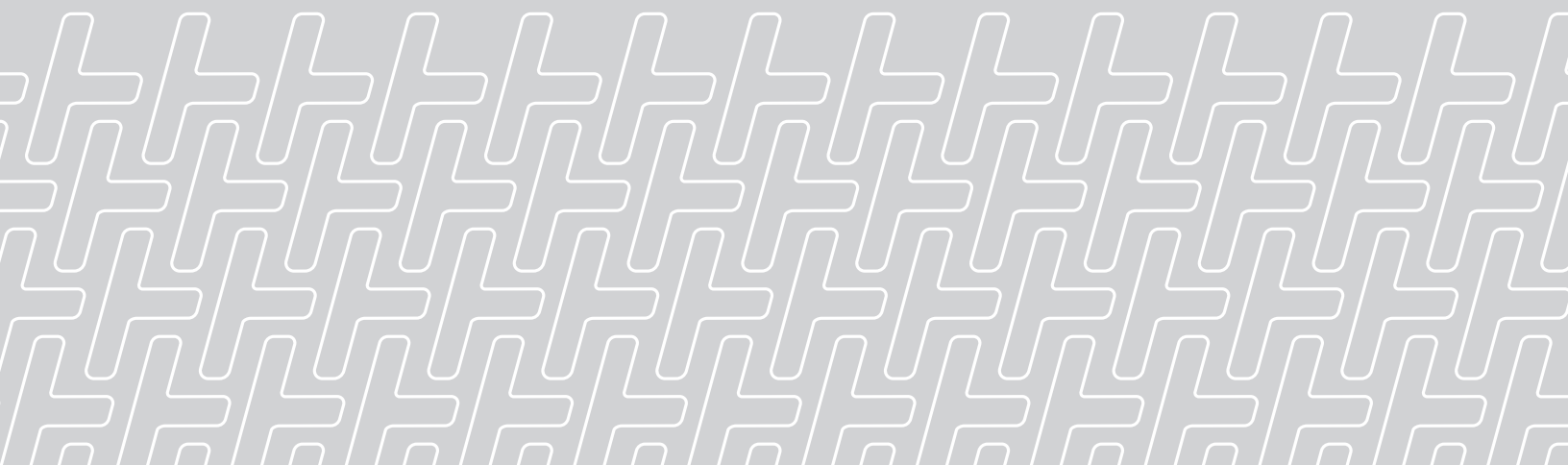


UPTIME KIT

Joker RT



INTRODUCTION

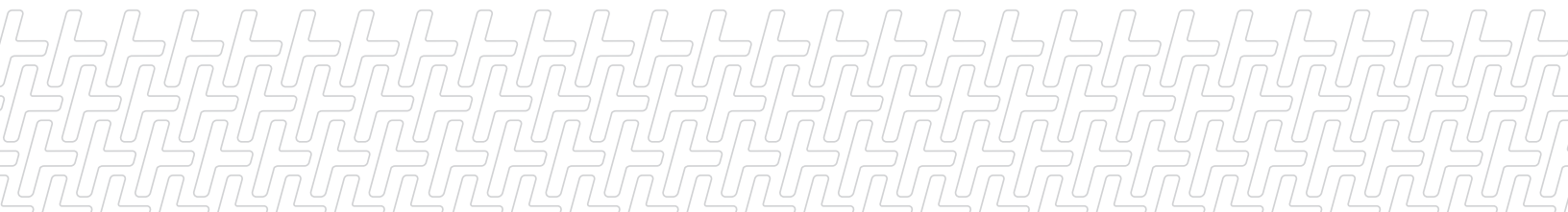
Thank you for your commitment to HORSCH!

Our goal is to help you and your HORSCH machine run as efficiently as possible. Unfortunately in farming, parts wear over time or even break which leads to downtime for hours or days. While we can't predict *everything* that can go wrong on your machine, ground engagement parts have the best chance to slow you down. That's why we have created this **Uptime Kit for the HORSCH Joker RT**.

This kit includes parts that can help you make quick fixes to get your HORSCH machine up and running again as soon as possible without a call or trip to the dealership.

If you have questions, contact your local dealer!

Your HORSCH Parts Team



JOKER RT - UPTIME KIT PARTS

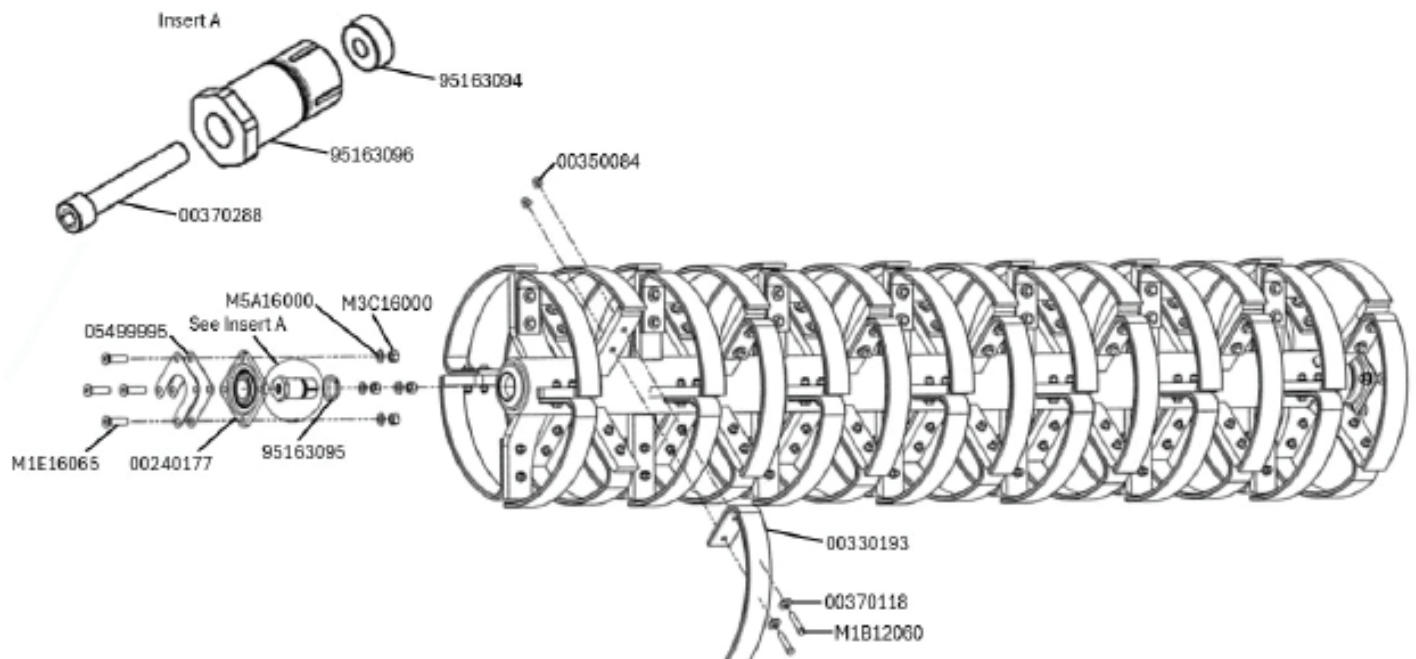
Part No	Part	Description	Qty
00240177		Bearing and housing 50mm	2
00330193		Packer tongue 70 X 12 - M12	4
00350084		Collar Nut Metric M12 Gr10.9	18
00360414		Hex Bolt M12x20 Gr10.9	10
00360922		Flange Bolt, M20-2.5x45 Din 158	4
00370118		Flat Washer, M12	8
00370288		Hex.sock.head screw M16x100 Gr12.9	2
04519040		Remote Cylinder Stop	1
04526210		Coultter Arm Mount	1
04590131		U-Bolt, 3/4" x 5.5" Round x 5" Long	4
04591450		6" Clamp Weldment U-Bolt	2
04591451		Nylatron Bushing 4.6"/5"-6"	2
04591663		Spring Remote Stop	1
04591694		Spring Pin 1/4" X 1-1/4" ZN Steel	1

Part No	Part	Description	Qty
04599610		Rubber Cord 15.375x1.6	4
04609997		Angle sensor, arm	4
04641050		Plunger Long	1
05499995		Square Shim	4
24582400		Connection rod potentiometer	1
28077800		Joker hub	2
60124056		Disc Blade 510mmx6.0mm curved/serrated	2
95163094		Conical nut mounting knife roller	4
95163095		Packer Slotted Cone	2
95163096		Screw bolt mounting knife roller	1
M1B12060		Hex Bolt M12-1.75x60 Gr10.9	16
M1E16065		Bolt Counter M16-20X65 Gr10.9	8
M1H12070		Hex Bolt M12-1.75X70 Gr10.9	4
M3C16000		Nut Nylock M16-2.0, DIN985, CL8, ZN	8

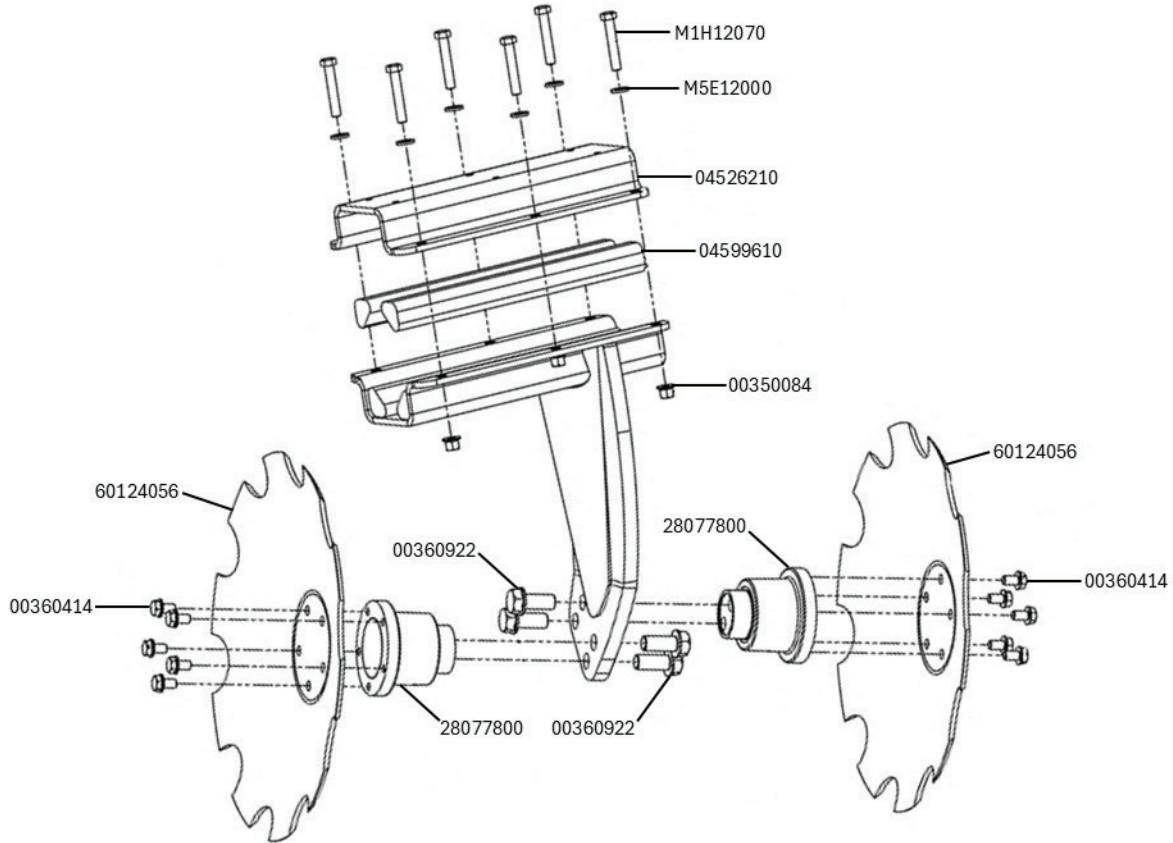
Part No	Part	Description	Qty
M5E12000		Flat Washer M12, DIN125	6
M5A16000		Flat Washer M16, ZN DIN125	8
S5C12000		Flat Washer, 3/4"SAE	8

Part No	Part	Description	Qty
S3E12000		Toplock Nut, 3/4" - 10, Grade C	8
S5A10000		5/8 Flat Washer	1

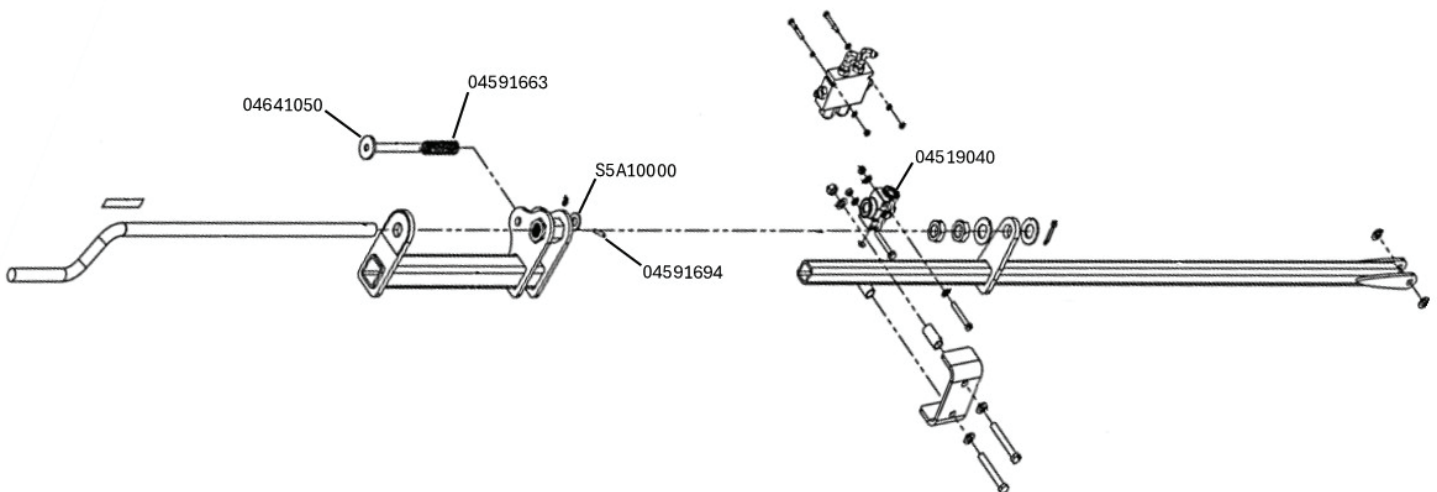
JOKER RT - ROLLFLEX DIAGRAM



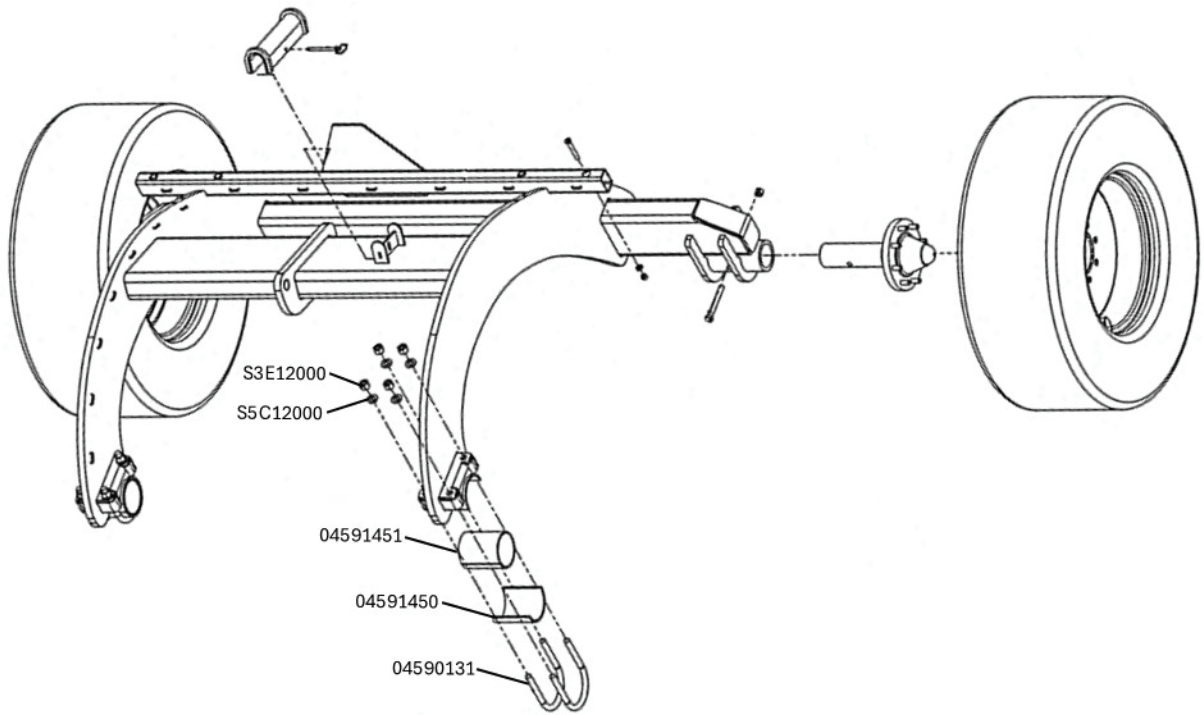
JOKER RT - DOUBLE FRONT COULTER UNIT DIAGRAM



JOKER RT - MANUAL STROKE DEPTH CONTROL DIAGRAM



JOKER RT - REAR LIFT NARROW ASSEMBLY DIAGRAM



JOKER RT - ANGLE SENSOR ARM AND POTENTIOMETER DIAGRAM

