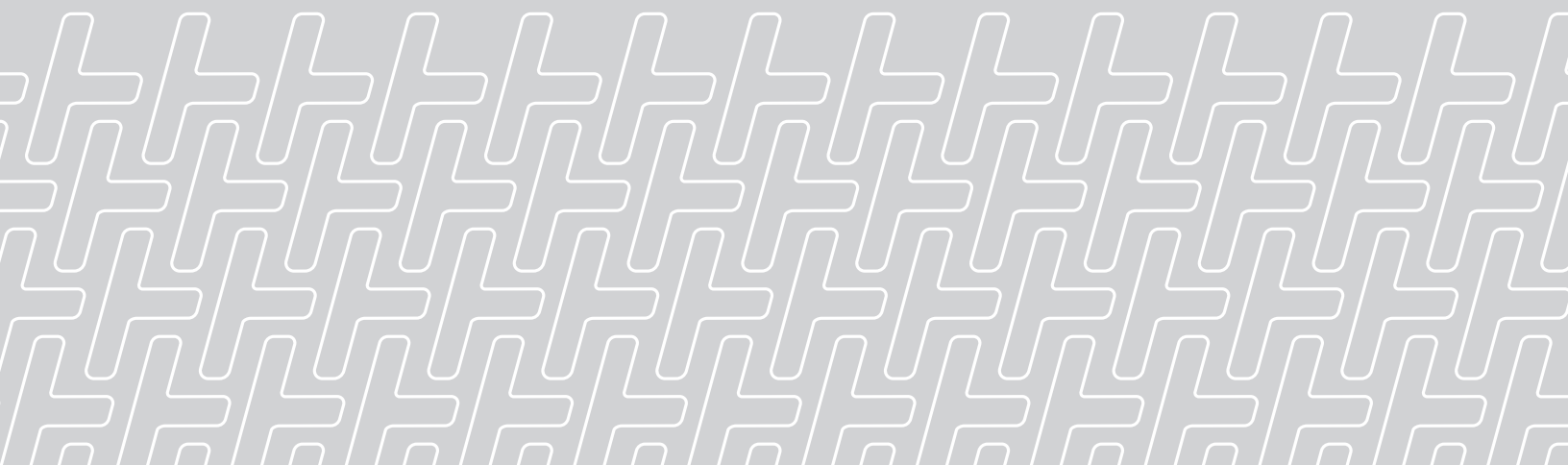


UPTIME KIT

Maestro SV



INTRODUCTION

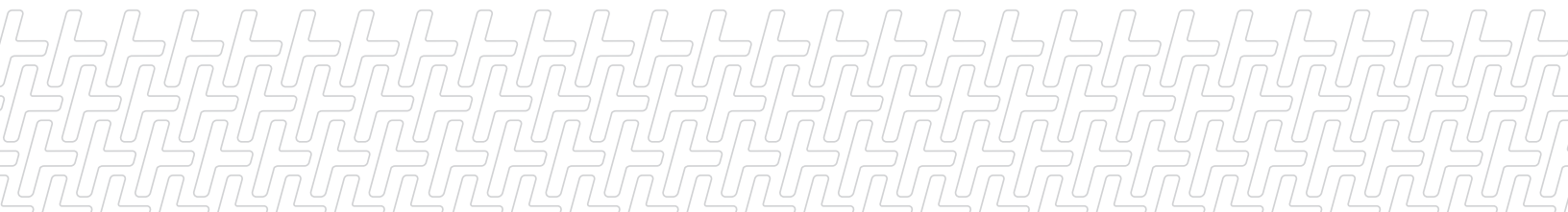
Thank you for your commitment to HORSCH!

Our goal is to help you and your HORSCH machine run as efficiently as possible. Unfortunately in farming, parts wear over time or even break which leads to downtime for hours or days. While we can't predict *everything* that can go wrong on your machine, ground engagement parts have the best chance to slow you down. That's why we have created this **Uptime Kit for the HORSCH Maestro SV**.

This kit includes parts that can help you make quick fixes to get your HORSCH machine up and running again as soon as possible without a call or trip to the dealership.

If you have questions, contact your local dealer!

Your HORSCH Parts Team

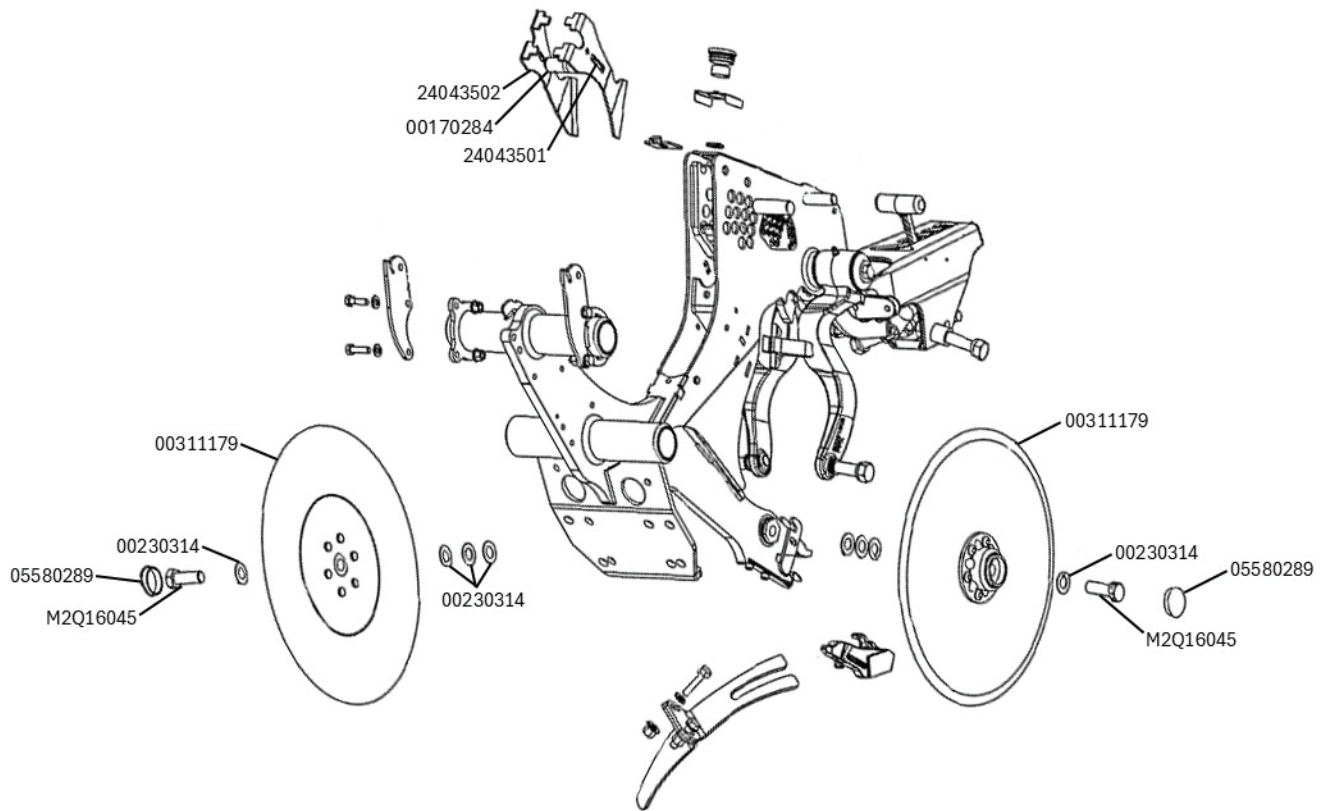


MAESTRO SV - UPTIME KIT PARTS

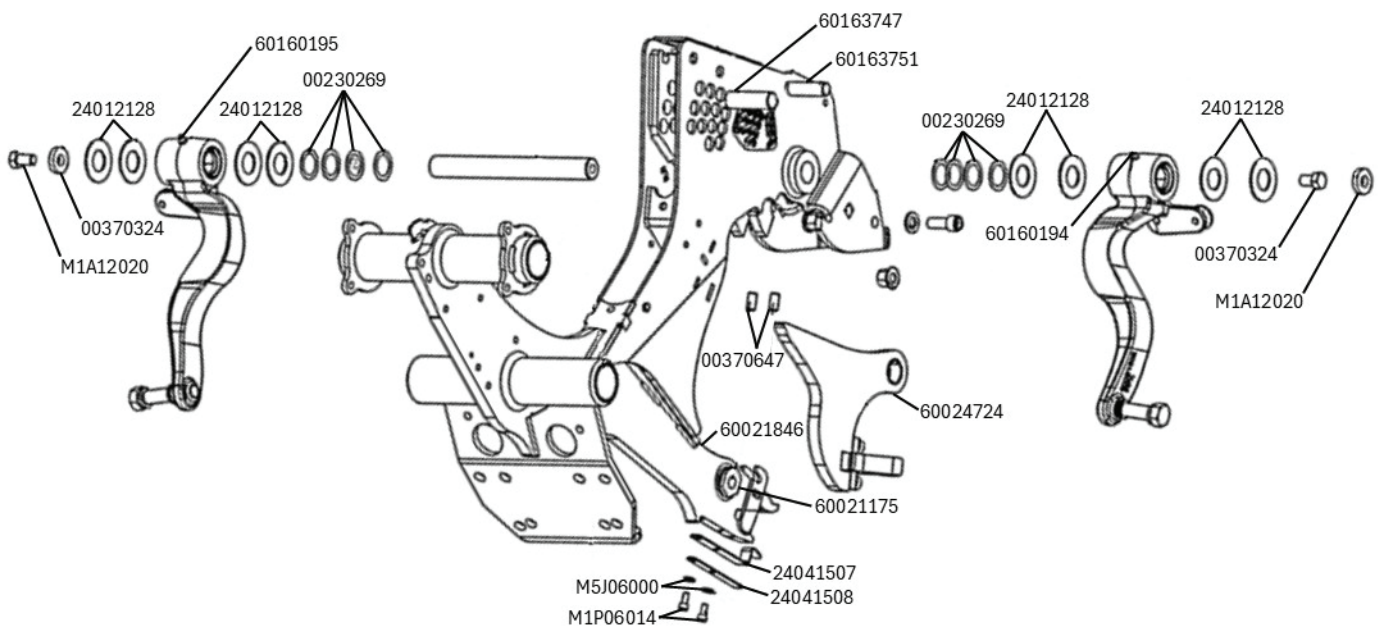
Part No	Part	Description	Qty
00170210		Tension spring diameter 4	2
00170284		Tension Spring Diameter 2.2	1
00230269		Shim 25x35x0.5	8
00230314		Adjusting Washer 16x30x1	8
00311179		Disc blade 15 w. bearing	2
00370324		Shim 13x30x6	2
00370647		Threaded Pin M10x20	1
01246403		Sealing lip for meter	1
05019941		Scraper	1
05580289		Dust Cap	2
24012128		Shim 50x25x2	8
24041507		Supplemental Leaf Spring Scraper/Skid Row	1
24041508		Spring Reinforcement Plate	1
24043501		Coulter Scraper Row AV Left	1

Part No	Part	Description	Qty
24043502		Coulter Scraper Row AV Right	1
60021175		Hex Bolt M24x1.5x9 Gr10.9 Left Hand	1
60021846		SKS screw 24x1,5x9 Ri. 10.9	1
60024724		Cam F. Depth Adjustment Row	1
60160194		Gauge Wheel Axle Arm Assembly Left	1
60160195		Gauge Wheel Axle Arm Assembly Right	1
60163747		Bolt adjustment depth control	1
60163751		Pin, 16x85 with clip	1
95195070		Fall Tube w/ sensor	1
M1A12020		Hex Bolt M12-1.75x20	2
M1P06014		Socket Bolt M6-1.0x14	2
M2B16045		Hex Bolt M16-1.5x45, DIN961	1
M2Q16045		Hex Bolt M16 - 1.5x45 LH	1
M5J06000		Flat Washer M6, DIN125	2

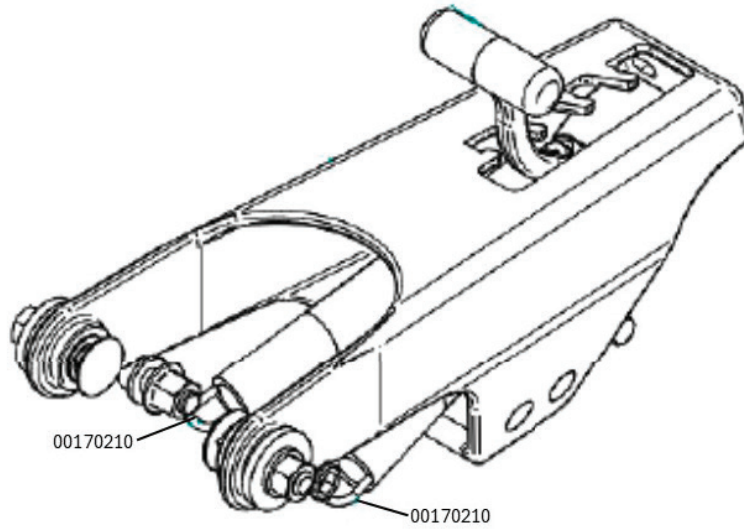
MAESTRO SV - ROW UNIT ASSEMBLY WITH DISCS DIAGRAM



MAESTRO SV - ROW UNIT BODY ASSEMBLY DIAGRAM



MAESTRO SV - TENSION SPRINGS DIAGRAM



MAESTRO SV - AIR VAC METERING, SCRAPER AND SEALING LIP DIAGRAM

