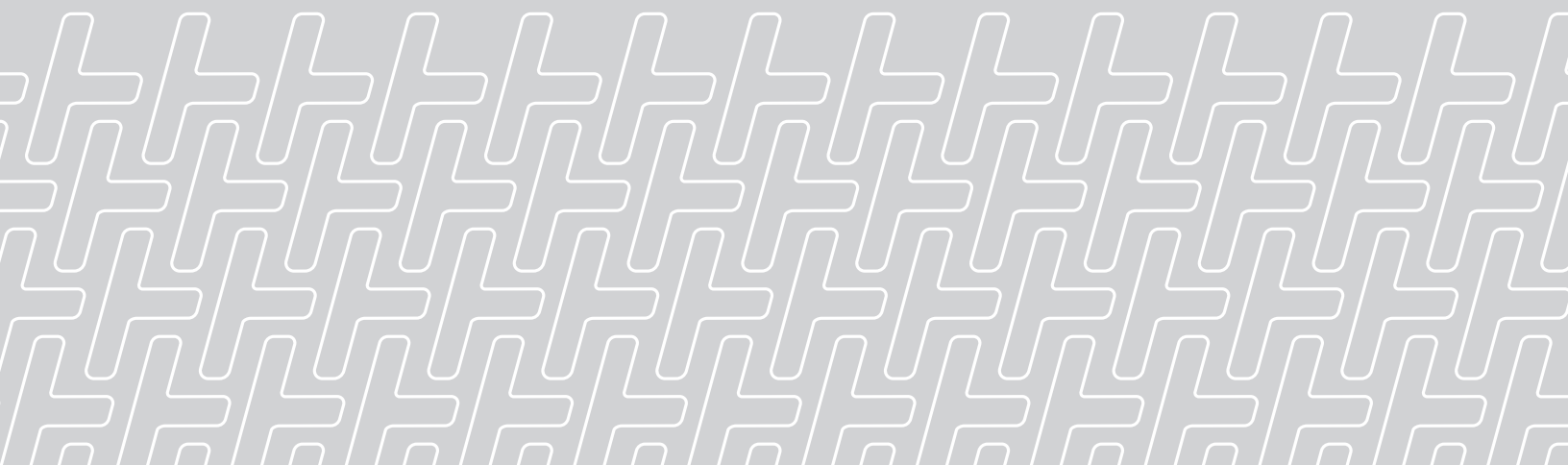


# UPTIME KIT

Maestro SX



# INTRODUCTION

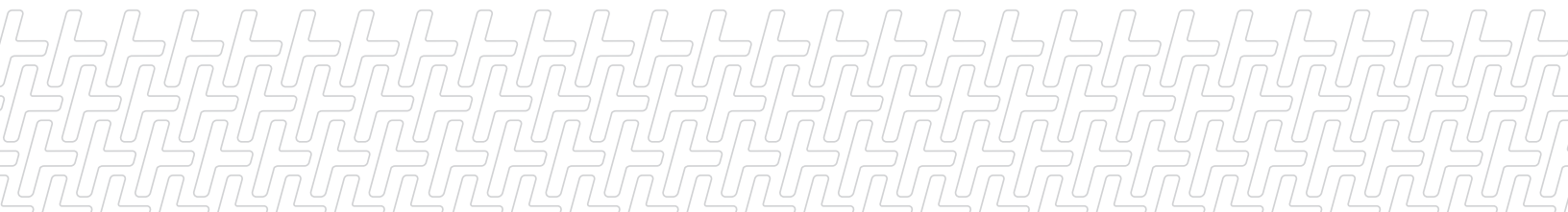
## Thank you for your commitment to HORSCH!

Our goal is to help you and your HORSCH machine run as efficiently as possible. Unfortunately in farming, parts wear over time or even break which leads to downtime for hours or days. While we can't predict *everything* that can go wrong on your machine, ground engagement parts have the best chance to slow you down. That's why we have created this **Uptime Kit for the HORSCH Maestro SX**.

This kit includes parts that can help you make quick fixes to get your HORSCH machine up and running again as soon as possible without a call or trip to the dealership.

**If you have questions, contact your local dealer!**





Your HORSCH Parts Team






## MAESTRO SX - UPTIME KIT PARTS

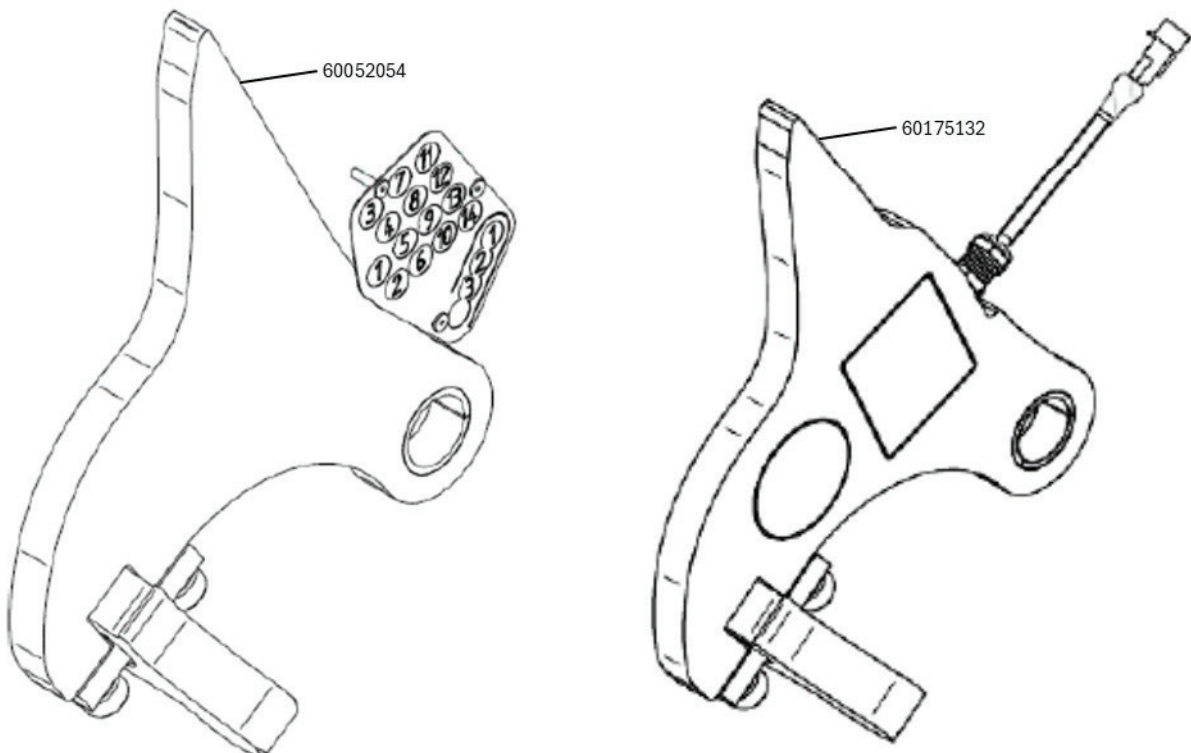
Part No	Part	Description	Qty
00170210		Tension spring diameter 4	2
00170284		Tension Spring Diameter 2.2	1
00180139		Spiral Coiled Hose D=40, t=0.5	1000
00180140		Spiral Coiled Hose D=35, t=0.5	10
00230269		Shim 25x35x0.5	8
00230314		Adjusting Washer 16x30x1	8
00311179		Disc blade 15 w. bearing	2
00360414		Hex Bolt M12-1.75x20	2
00370647		Threaded Pin M10x20	1
01246403		Sealing lip for meter	1
01247315		Meter System Air Speed	1
04791411		Shim 13x30x6	2
05133080		Scraper vers.1 chang. AirVac liquid	1
05580289		Dust Cap	2

Part No	Part	Description	Qty
24012128		Shim 50x25x2	8
24041507		Supplemental Leaf Spring Scraper/Skid Row	1
24041508		Spring Reinforcement Plate	1
24043501		Coulter Scraper Row AV Left	1
24043502		Coulter Scraper Row AV Right	1
60021175		Hex Bolt M24x1.5x9 Gr10.9 Left Hand	1
60021846		SKS screw 24x1,5x9 Ri. 10.9	1
60025578		Firming Wheel Assembly	1
60052054		Cam F. Depth Adjustment Row	1
60059090		Scraper vers.3 chang. Row AirSpeed	1
60062107		Retaining plate tube liquid fertiliser	1
60160194		Gauge Wheel Axle Arm Assembly Left	1
60160195		Gauge Wheel Axle Arm Assembly Right	1
60160224		Axle for Depth Control Stub	1

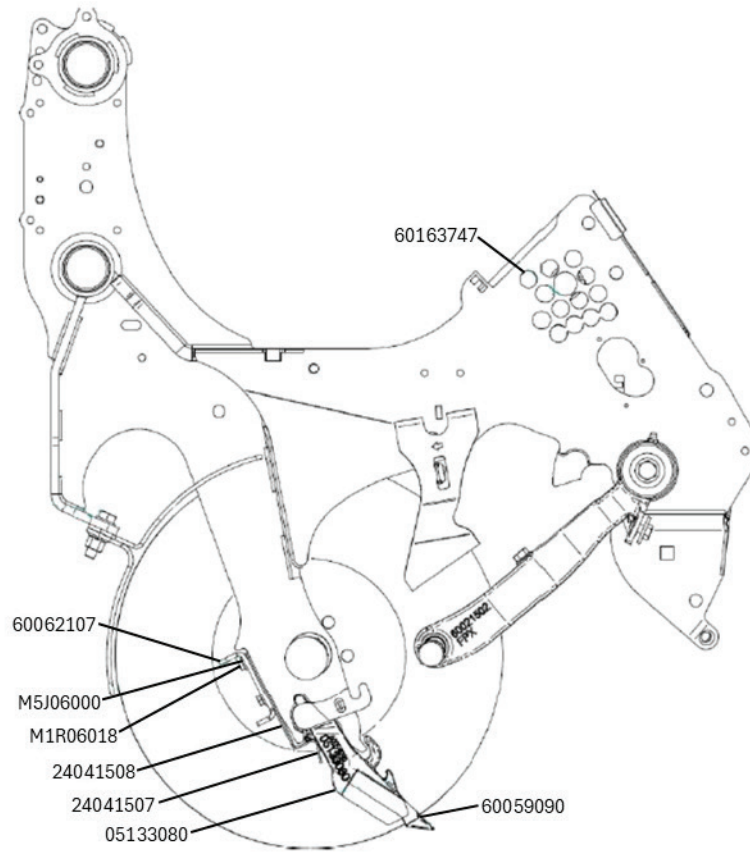
Part No	Part	Description	Qty
60160230		Washer, 50x25x2.5	4
60163747		Pin, 16x86 with clip	1
60175132		Cam Sensor AutoForce Kit	1
M1R06018		Hex Bolt M6-1.0X18, DIN 933	2

Part No	Part	Description	Qty
M2B16045		Hex Bolt M16-1.5x45, DIN961	2
M2Q16045		Hex Bolt M16 - 1.5x45 LH	1
M5J06000		Flat Washer M6, DIN125	2

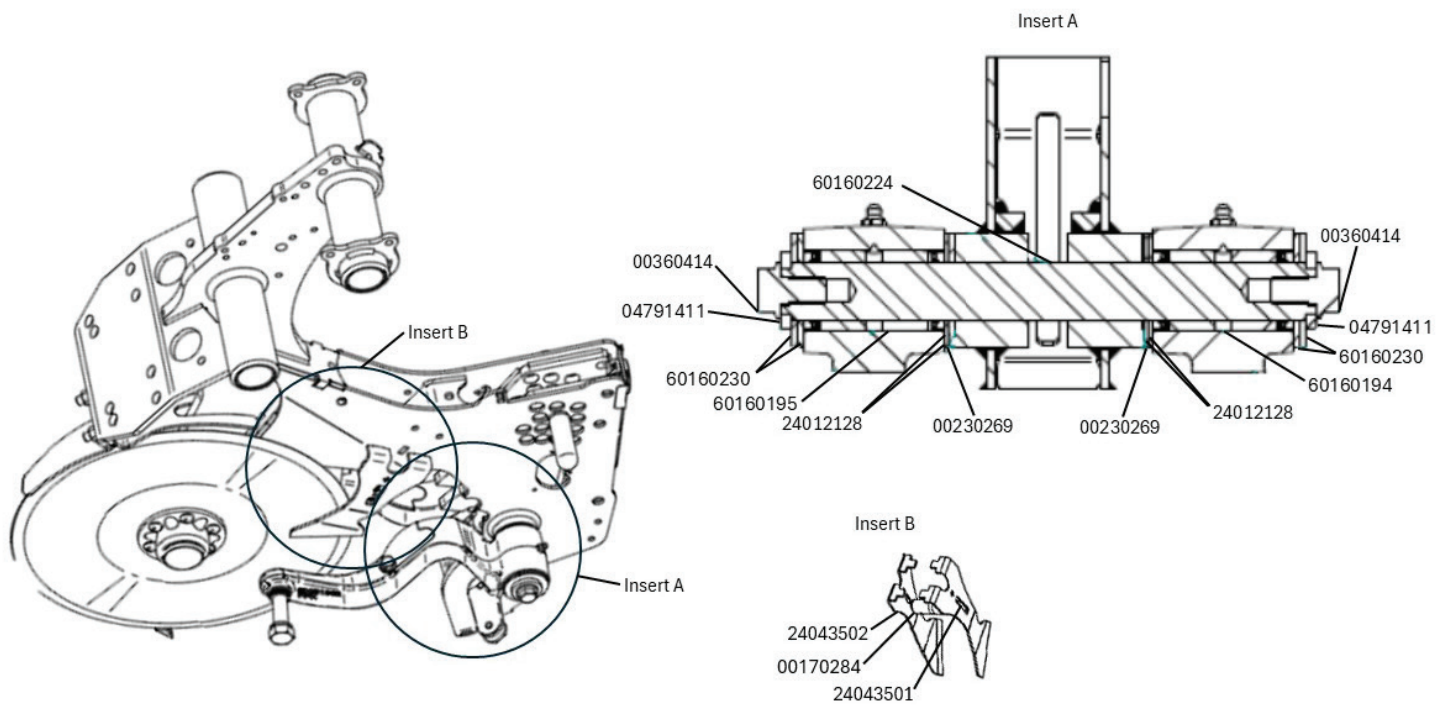
## MAESTRO SX - CAM DEPTH SUPPORT AND SENSOR DIAGRAM



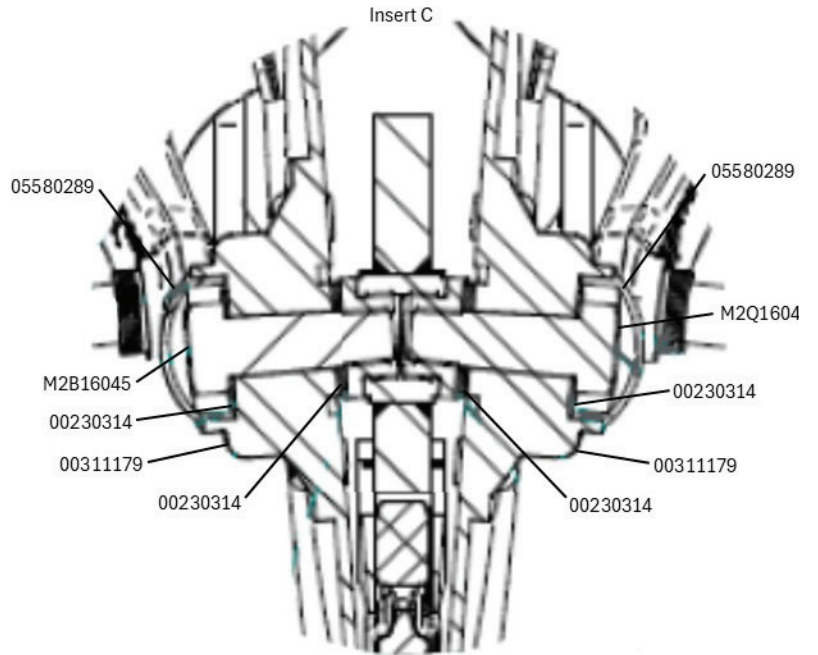
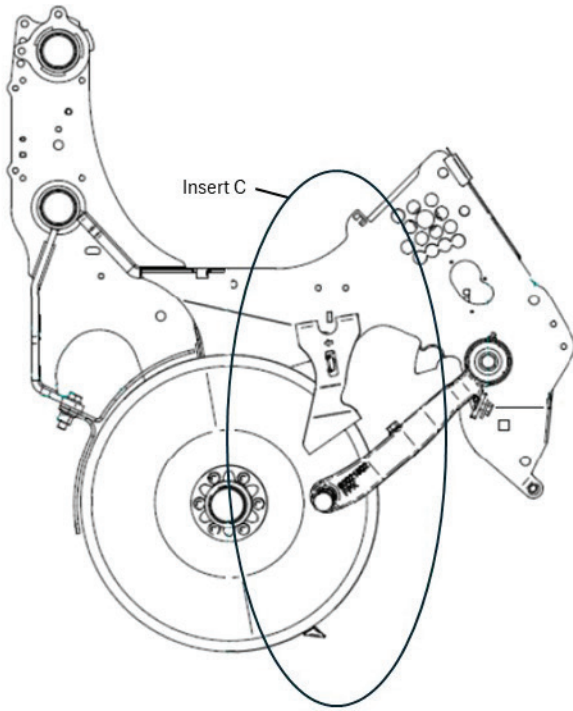
## MAESTRO SX - ROW UNIT WITH DISC DIAGRAM



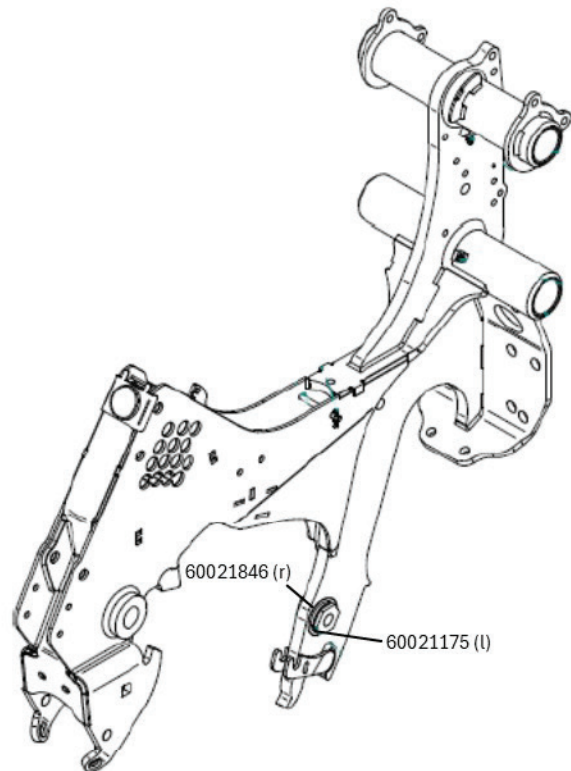
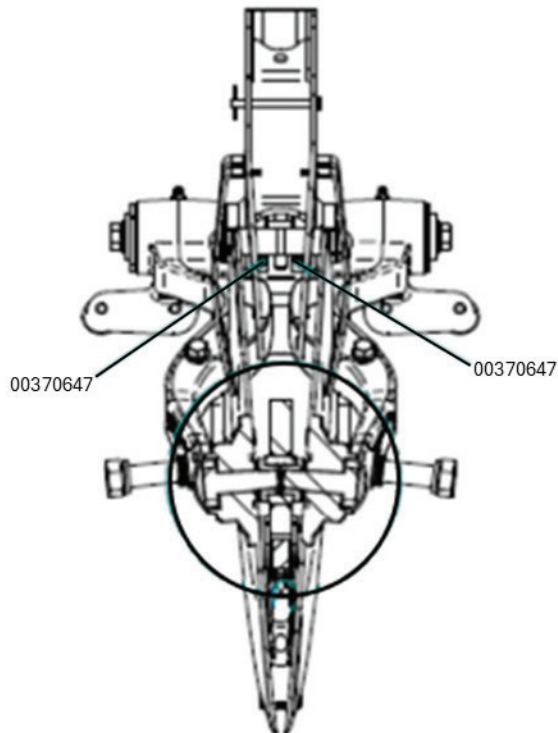
## MAESTRO SX - ROW UNIT WITH DISC DIAGRAM



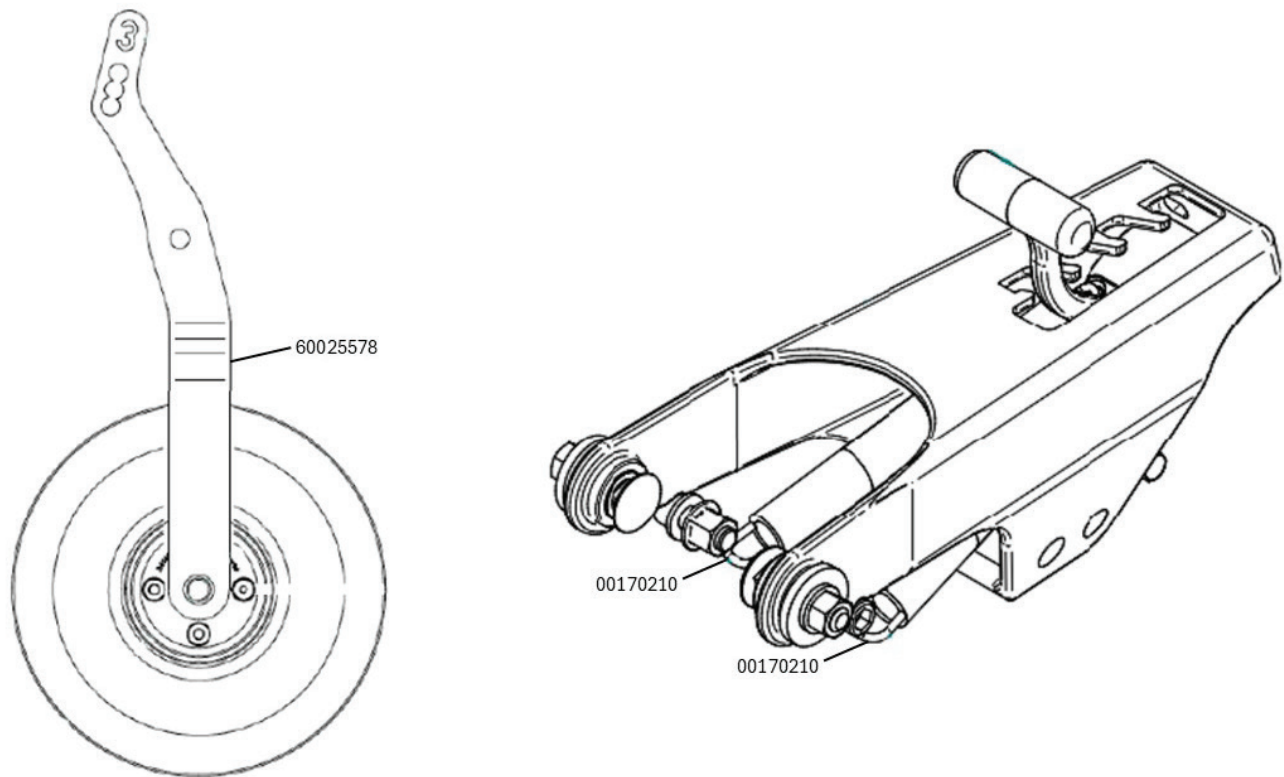
## MAESTRO SX - ROW UNIT WITH DISC DIAGRAM



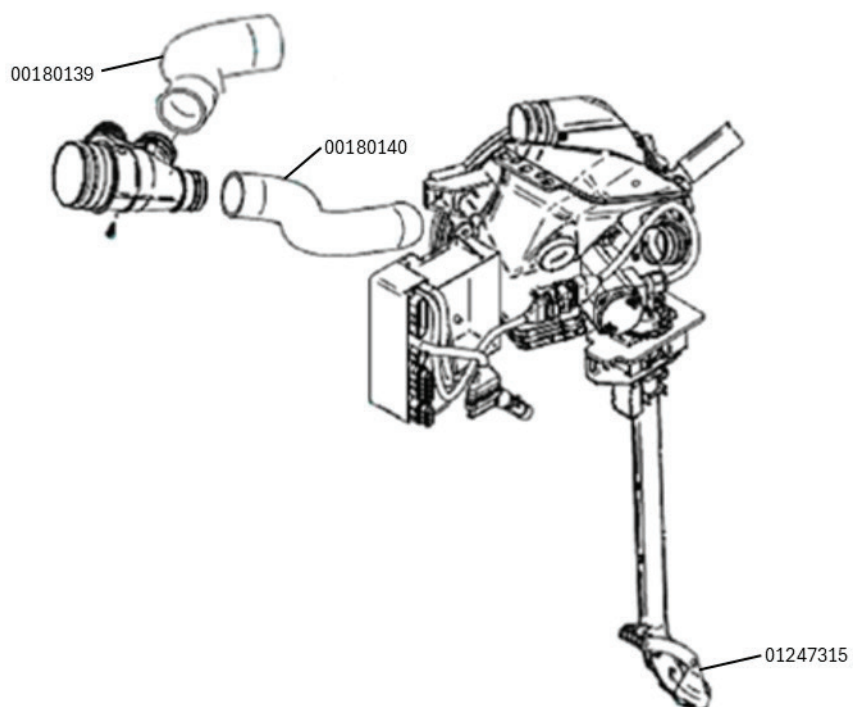
## MASETRO SX - ROW UNIT DIAGRAM



## MAESTRO SX - FIRING WHEEL AND TENSION SPRINGS DIAGRAM



## MASETRO SX - FALL TUBE WITH AIR SPEED AND HOSE DIAGRAM



## MAESTRO SX - SEALING LIP DIAGRAM

